

Spare parts list

(1.194-404.0) G 2600 VH

Table of contents

G 2600 VH (1.194-404.0)	4
230 Spare parts list G 2600 VH (9.139-198.0)	5
10 Frame	6
20 Pump set	8
21 Cylinder head	9
1 Nozzle insert (4.769-035.0)	11
3 Throttle complete (4.030-109.0)	13
5 Joining piece only for replacement (4.030-125.0)	14
7 Suction valve complete (4.580-330.0)	16
10 Valve (3 Stück) (2.884-916.0)	17
12 Drain plug only for replacement (4.132-007.0)	19
13 Spare part set chemistry (2.883-862.0)	21
22 Piston	23
1 Thermo valve only for replacement 60 GRD (4.580-360.0)	25
36 Valve plug complete (4.132-011.0)	26
100 Thermo valve 60 GRD (4.580-359.0)	27
23 Cylinder head	29
1 Nozzle insert (4.769-035.0)	31
3 Throttle complete (4.030-109.0)	33
5 Joining piece only for replacement (4.030-125.0)	34
7 Suction valve complete (4.580-330.0)	36
10 Valve (3 Stück) (2.884-916.0)	37
12 Drain plug only for replacement (4.132-007.0)	39
13 Spare part set chemistry (2.883-862.0)	41
24 Piston	43
1 Thermo valve only for replacement 60 GRD (4.580-360.0)	45
36 Valve plug complete (4.132-011.0)	46
100 Thermo valve 60 GRD (4.580-359.0)	47
25 Cylinder head	49
8 SPARE PART LIST NOZZLE INS 020/021 PUMP (9.139-372.0)	51
9 Spare part set chemistry (2.883-862.0)	53
10 Drain plug only for replacement (4.132-007.0)	55
11 Valve (3 Stück) (2.884-916.0)	57
26 Piston	59
30 Motor	61
31 Motor	62
32 Transmission	64
7 Wobble plate (6.401-289.3)	66

Table of contents

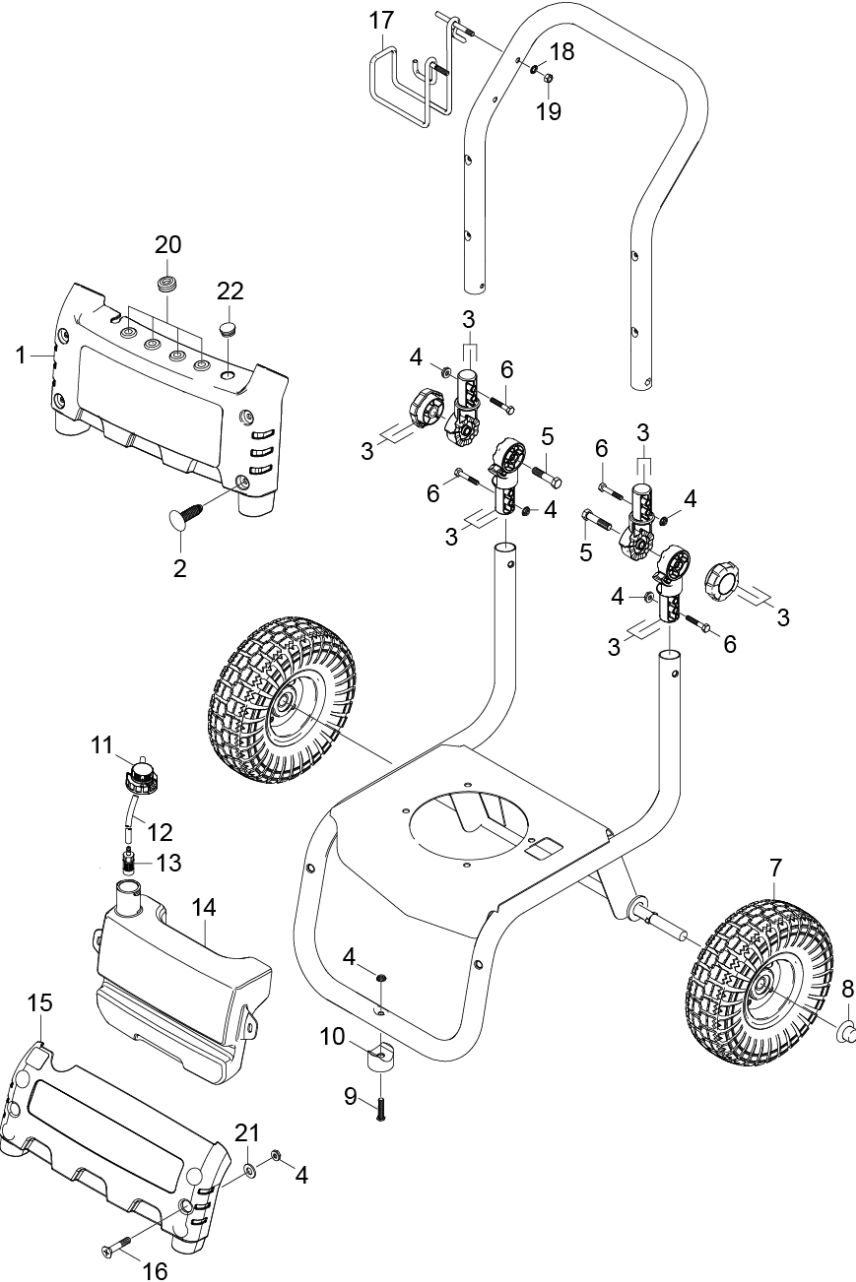
33 Transmission	67
40 Accessories	69

G 2600 VH (1.194-404.0)

POS	Article no.	Description	Quantity	Unit
230	9.139-198.0	Spare parts list G 2600 VH	1.000	ST

230 Spare parts list G 2600 VH (9.139-198.0)

POS	Description	Quantity	Unit
10	Frame	1.000	ST
20	Pump set	1.000	ST
30	Motor	1.000	ST
40	Accessories	1.000	ST

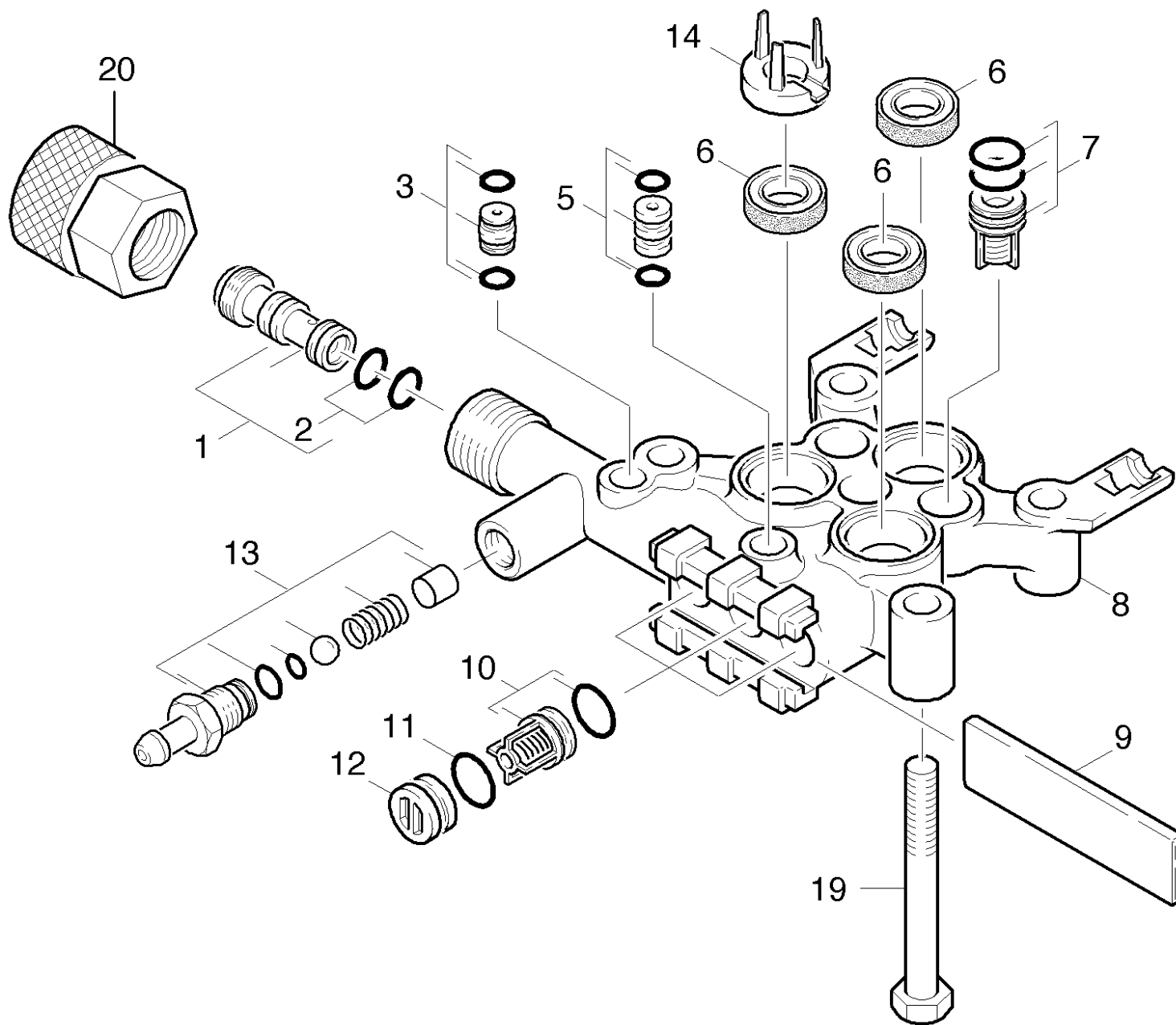


10 Frame

POS	Article no.	Description	Quantity	Unit	Serial number from	Serial number to	Foot note text
1	9.134-023.0	Name Plate, V1	1.000	ST			
2	9.196-049.0	Nylon Rivet	4.000	ST			
3	9.117-001.0	ROTARY JOINT ASSEMBLY	2.000	ST			
4	9.197-010.0	1/4-20" Nylon Insert Lock Nut with Flang	7.000	ST			
5	9.196-041.0	HEX HEAD BOLT 3/8-16 X 1-3/4	2.000	ST			
6	9.196-307.0	1/4-20 x 1-1/2 GR 2 HEX BOLT ZINC	4.000	ST			
7	9.802-270.0	WHEEL & TIRE ASSY, 10" STEEL RIM W/TUBE	2.000	ST	287263		
7	9.189-007.0	WHEEL 10" X 3.50" PNEU	2.000	ST		287062	
8	9.182-506.0	CAP BLACK PLASTIC,5/8"FASTENER	2.000	ST			
9	9.196-046.0	FLAT HEAD M/S 5/16-18X1-3/4"	1.000	ST		287062	
9	8.751-805.0	1/4-20 x 1-3/4 GR 5 HEX BOLT ZINC	1.000	ST	287063		
10	9.183-408.0	Rubber buffer	1.000	ST		287062	
10	8.751-340.0	RUBBER, CONTOUR 1.25"	1.000	ST	287063		
11	4.063-807.0	Cover tank cleaning agents	1.000	ST			
12	6.388-216.0	Hose DN 5	1.000	M			TO ORDER AS CUT GOODS
13	5.731-652.0	Filter with weight	1.000	ST			
14	9.132-006.0	Tank V1	1.000	ST			
15	9.134-024.0	COVER-V1	1.000	ST			
16	9.196-050.0	Large Head Machine Screw 1/4"x2.25"	2.000	ST			
17	9.142-009.0	HANGER WELD ASSY 45DEG RIGHT (SOLO)	1.000	ST			
18	9.198-003.0	5/16 INTERNAL L/W .332 ID X .620 OD ZINC	2.000	ST			
19	5.310-105.0	5/16"-18 FINISHED HEX NUT ZINC	2.000	ST			
20	9.802-064.0	GROMMET, RUBBER, NOZZLE HOLDER	4.000	ST			
21	9.198-014.0	Washer 21/64 X 1"	4.000	ST			
22	9.183-002.0	PLUG, TO COVER HOLE XTRA HOLE-NOZZLE	1.000	ST			

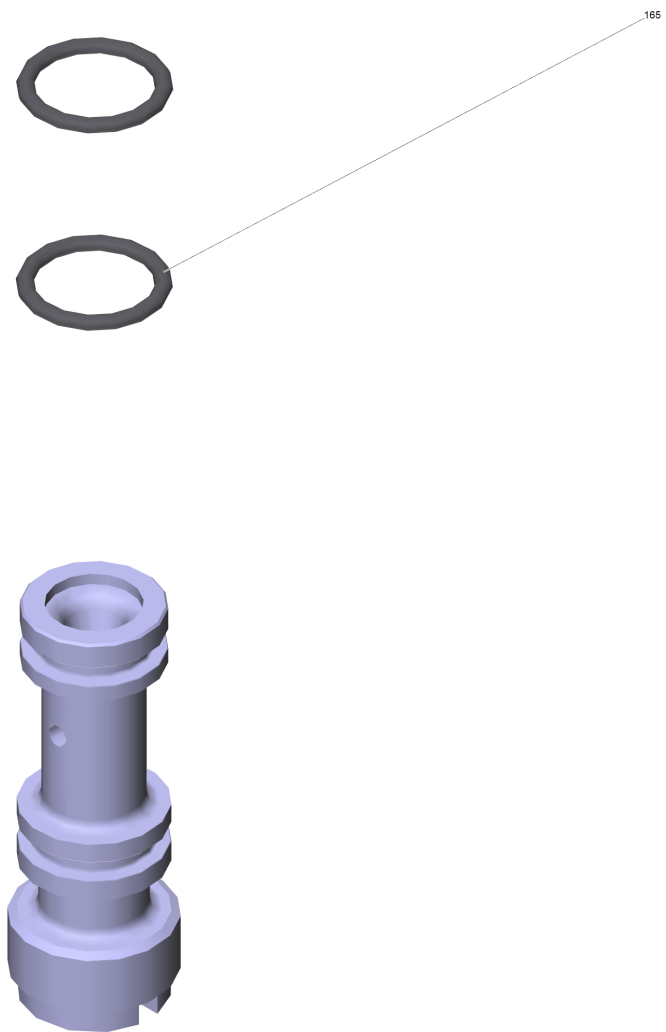
20 Pump set

POS	Description	Quantity	Unit	Remark
21	Cylinder head	1.000	ST	
22	Piston	1.000	ST	
23	Cylinder head	1.000	ST	
24	Piston	1.000	ST	
25	Cylinder head	1.000	ST	VERSION 3
26	Piston	1.000	ST	VERSION 3



21 Cylinder head

POS	Article no.	Description	Quantity	Unit
1	4.769-035.0	Nozzle insert	1.000	ST
2	6.362-384.0	O-Ring seal 9x1,5 - NBR 70	2.000	ST
3	4.030-109.0	Throttle complete	1.000	ST
5	4.030-125.0	Joining piece only for replacement	1.000	ST
6	6.365-394.0	Grooved ring 12x20x5,3/2,8	3.000	ST
7	4.580-330.0	Suction valve complete	3.000	ST
8	5.550-294.0	Cylinder head	1.000	ST
9	5.003-062.0	Plate	1.000	ST
10	2.884-916.0	Valve (3 Stück)	1.000	ST
11	6.363-273.0	O-Ring seal 11,0 x 2,0	3.000	ST
12	4.132-007.0	Drain plug only for replacement	3.000	ST
13	2.883-862.0	Spare part set chemistry	1.000	ST
14	5.115-903.0	Washer	3.000	ST
19	7.304-408.0	Hexagonal head screw M 8x80-8.8-A2E ISO	4.000	ST
20	9.154-045.0	Quick Connect	1.000	ST

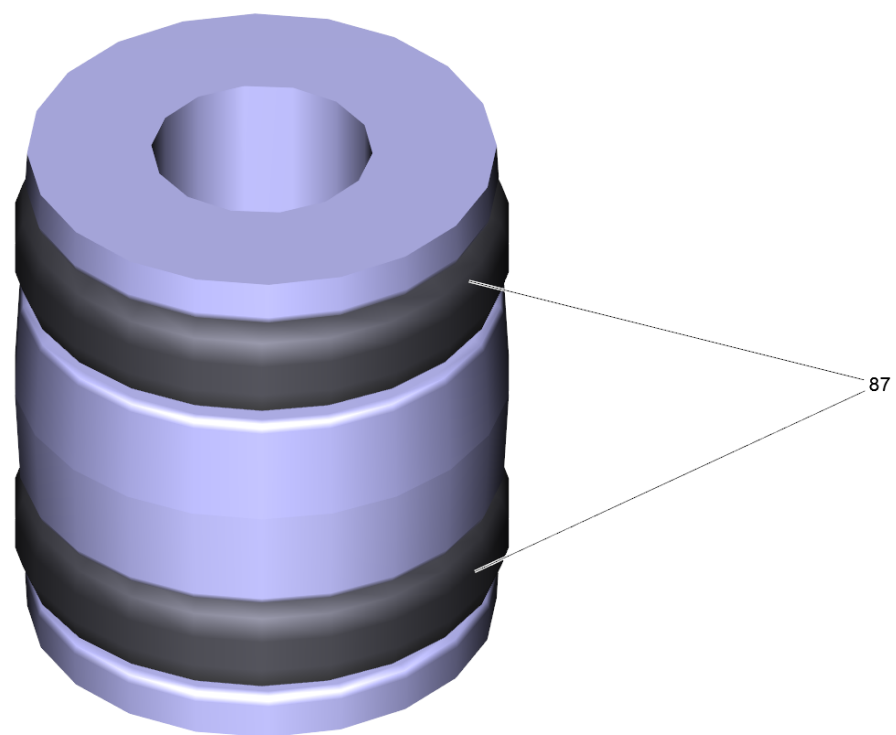


1 Nozzle insert (4.769-035.0)

POS	Article no.	Description	Quantity	Unit
165	6.362-384.0	O-Ring seal 9x1,5 - NBR 70	2.000	ST

3 Throttle complete (4.030-109.0)

POS	Article no.	Description	Quantity	Unit
87	6.362-176.0	O-Ring seal 6,07x1,78	2.000	ST
120	6.288-028.0	Silicon grease	1.000	ZST

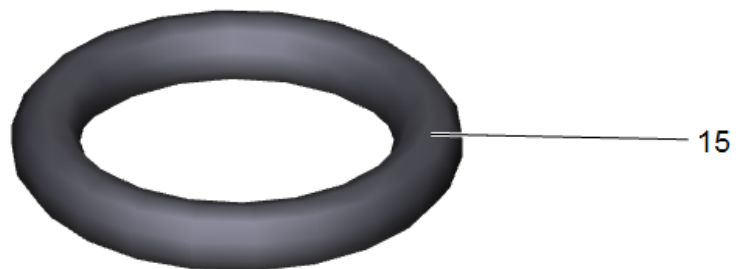
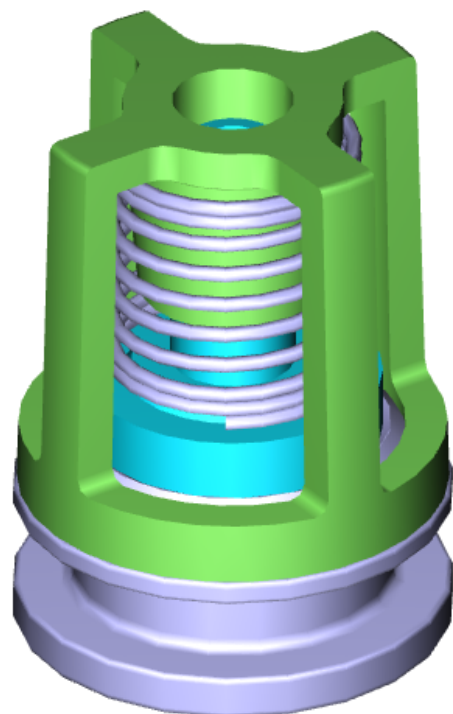


5 Joining piece only for replacement (4.030-125.0)

POS	Article no.	Description	Quantity	Unit
87	6.362-176.0	O-Ring seal 6,07x1,78	2.000	ST

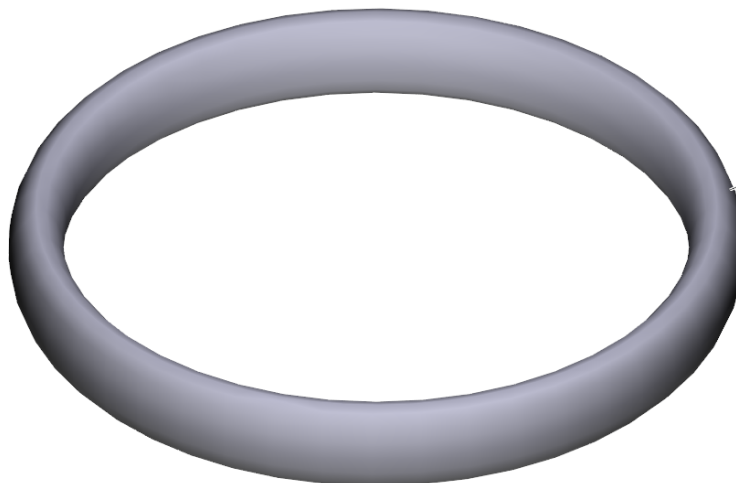
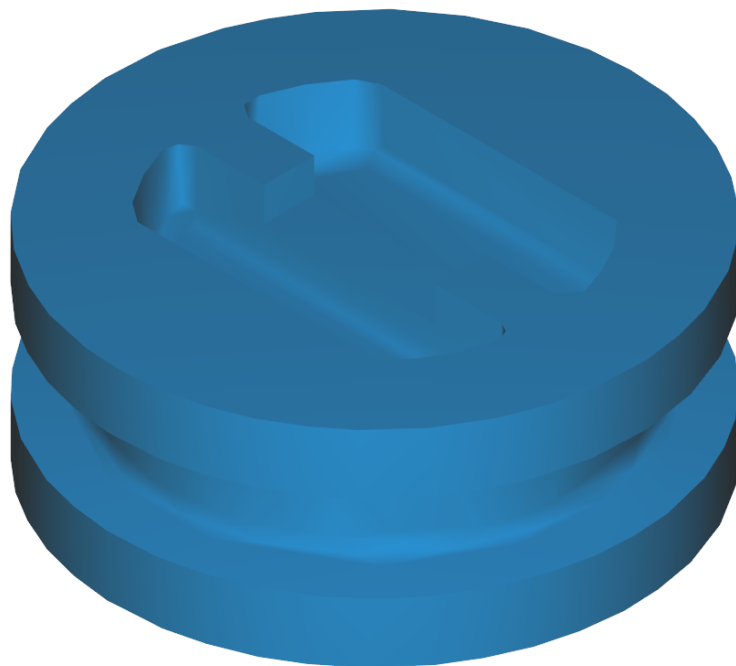
7 Suction valve complete (4.580-330.0)

POS	Article no.	Description	Quantity	Unit
86	6.363-614.0	O-Ring seal 9 x 2 -NBR90	2.000	ST
120	6.288-028.0	Silicon grease	1.000	ZST



10 Valve (3 Stück) (2.884-916.0)

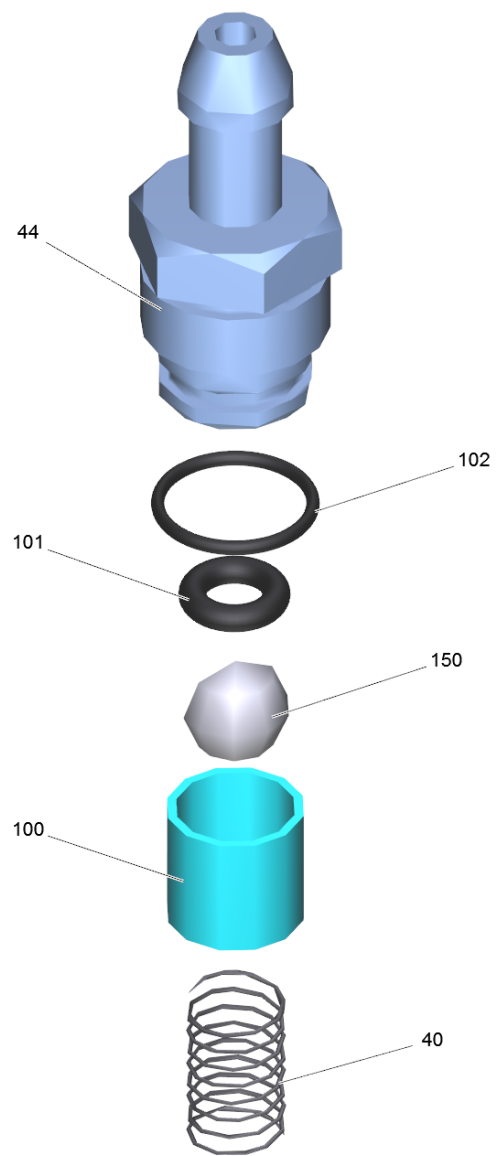
POS	Article no.	Description	Quantity	Unit
15	6.362-077.0	O-Ring seal 10 x 2,2 NBR 70	1.000	ST



18

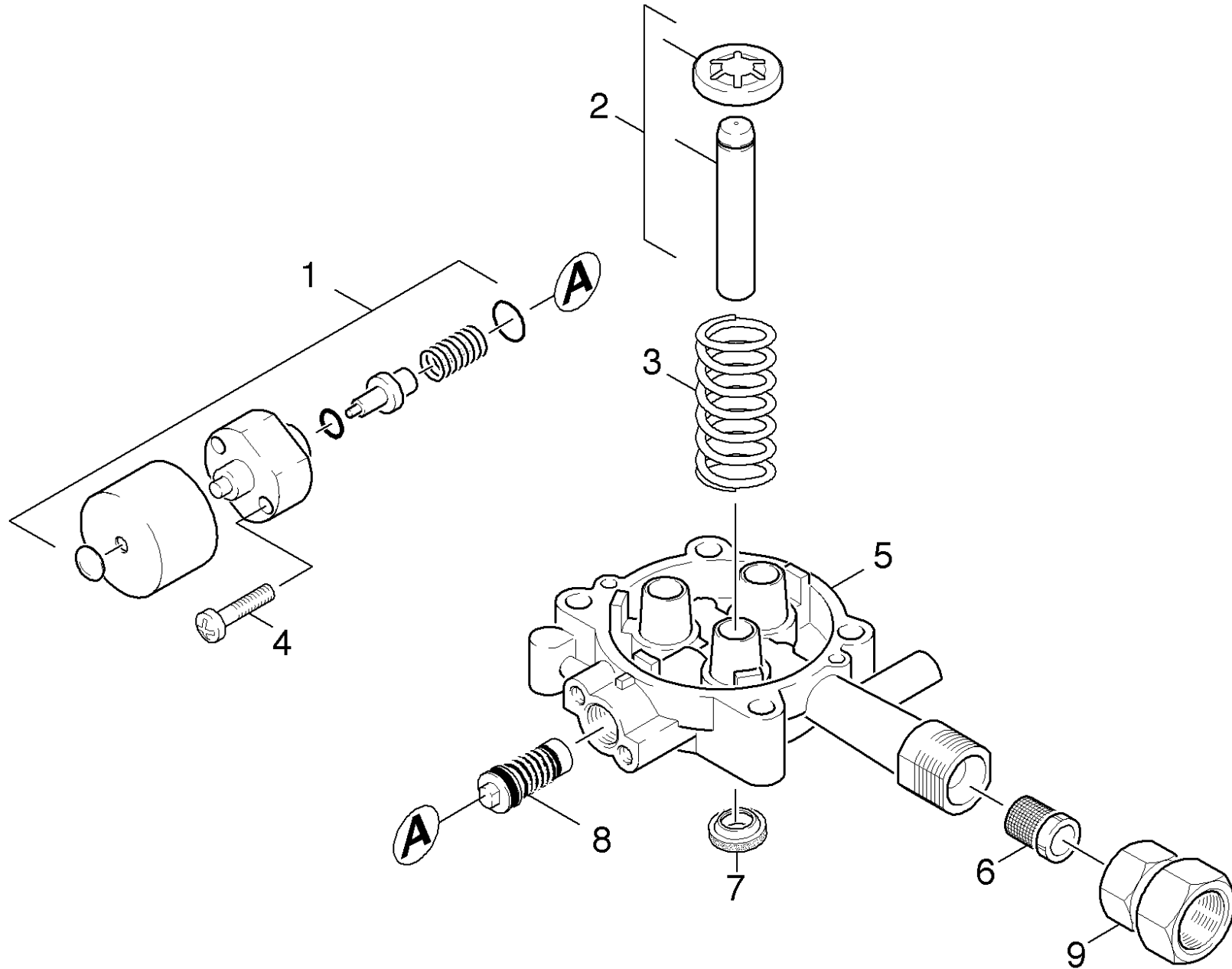
12 Drain plug only for replacement (4.132-007.0)

POS	Article no.	Description	Quantity	Unit
18	6.362-458.0	O-Ring seal 11,0x2,0-NBR 70	1.000	ST



13 Spare part set chemistry (2.883-862.0)

POS	Article no.	Description	Quantity	Unit
40	5.332-258.0	Helical spring	1.000	ST
44	5.443-448.0	Nipple chemistry	1.000	ST
100	5.110-714.0	Sleeve	1.000	ST
101	6.363-597.0	O-Ring seal 5,28 x 1,78	1.000	ST
102	6.362-451.0	O-Ring seal 8,0 x 1,0	1.000	ST
110	6.376-036.0	Label spare parts neutrally 65x55 MM	1.000	ZST
130	6.590-355.0	Bag PE 130x140 mm neutral	1.000	ST
150	7.401-908.0	Sphere 7 G300 -1.4301 DIN 5401	1.000	ST



22 Piston

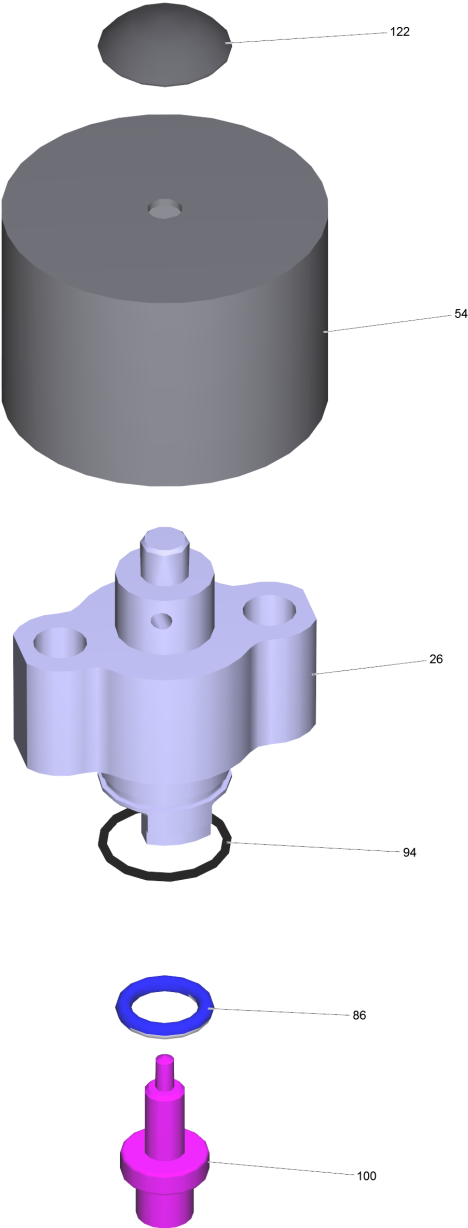
POS	Article no.	Description	Quantity	Unit
1	4.580-360.0	Therموالve only for replacement 60 GRD	1.000	ST
2	4.553-215.0	Piston complete	3.000	ST
3	5.332-391.0	Pressure spring	3.000	ST
4	7.303-066.0	Screw M6x30 -St-R3R (In6Rd)	2.000	ST
5	5.060-838.0	Piston guidance	1.000	ST
6	6.414-252.0	Strainer	1.000	ST
7	6.365-393.0	Oil sealing 12x20x4/6	3.000	ST
8	4.591-040.0	SPILL VALVE COMPLETE	1.000	ST
9	9.154-009.0	Coupling element 3/4"	1.000	ST

1 Thermovalve only for replacement 60 GRD (4.580-360.0)

POS	Article no.	Description	Quantity	Unit
36	4.132-011.0	Valve plug complete	1.000	ST
100	4.580-359.0	Thermovalve 60 GRD	1.000	ST
149	6.376-036.0	Label spare parts neutrally 65x55 MM	1.000	ZST
150	6.590-355.0	Bag PE 130x140 mm neutral	1.000	ST

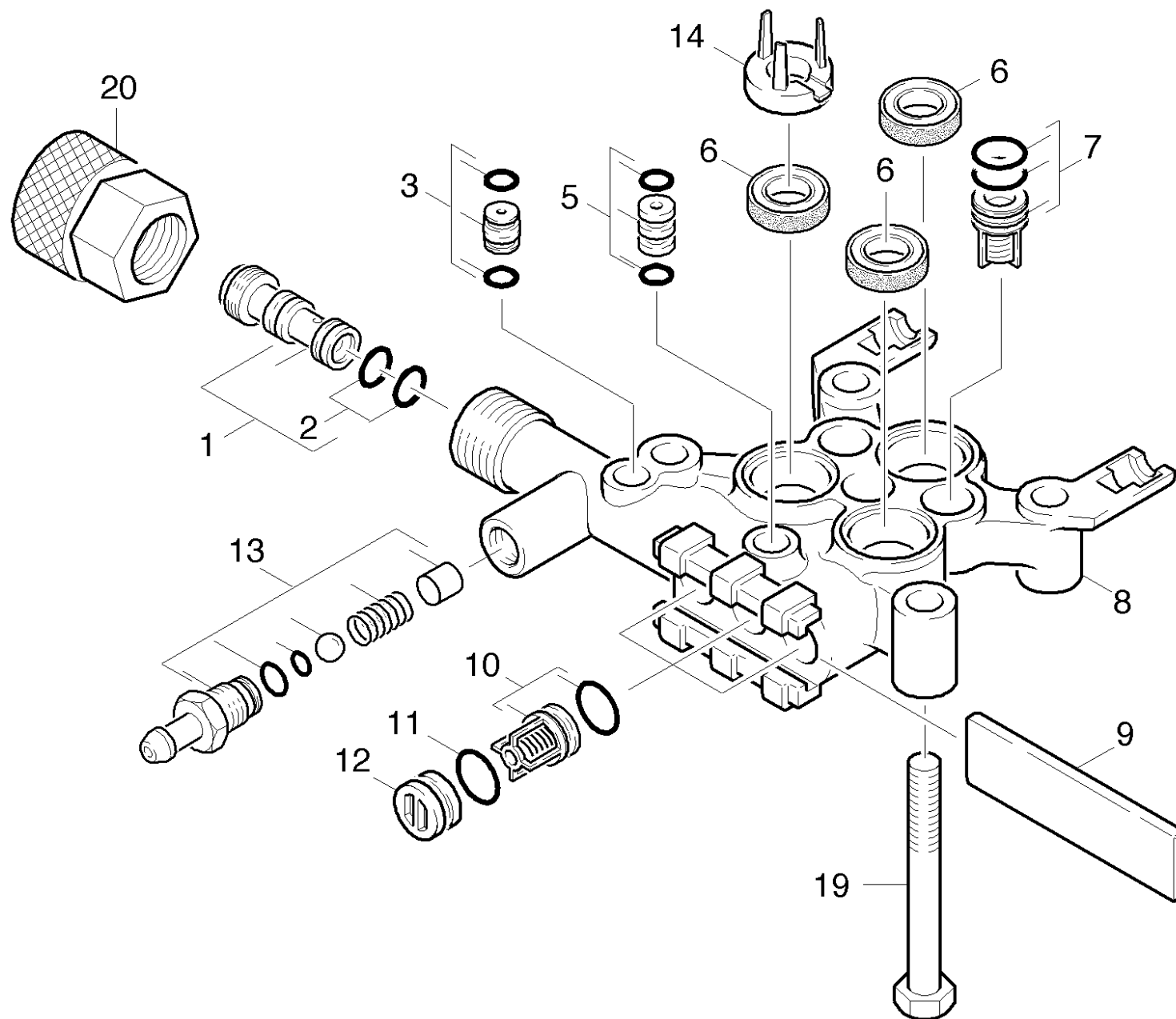
36 Valve plug complete (4.132-011.0)

POS	Article no.	Description	Quantity	Unit
85	6.362-458.0	O-Ring seal 11,0x2,0-NBR 70	1.000	ST
120		Grease	0.400	G



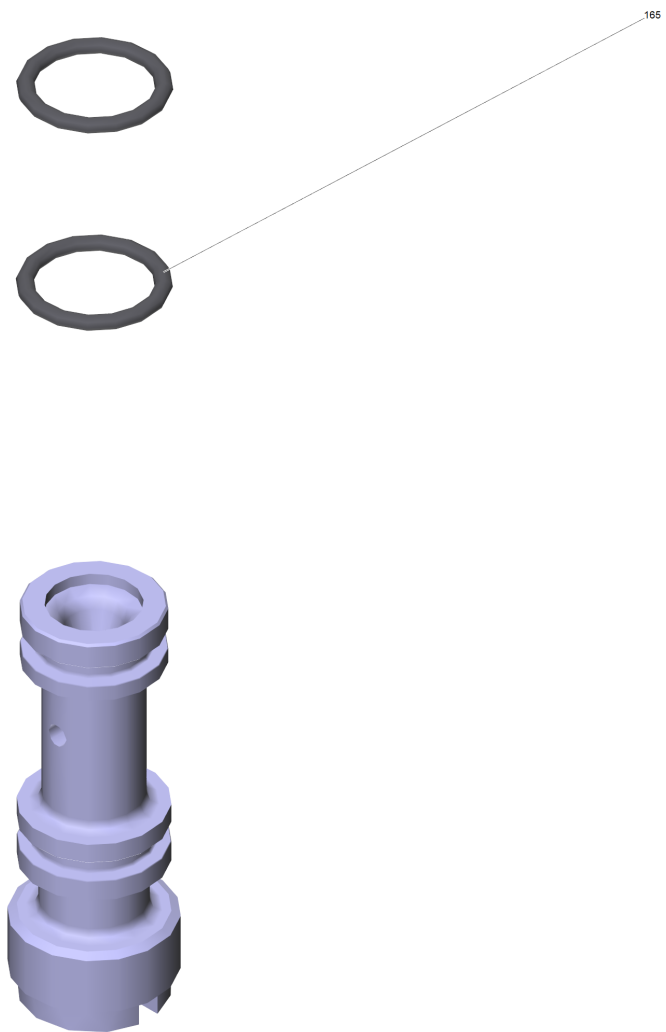
100 Thermovalve 60 GRD (4.580-359.0)

POS	Article no.	Description	Quantity	Unit
26	5.587-196.0	Valve housing	1.000	ST
54	5.394-522.0	Protecting cap black	1.000	ST
86	7.362-507.0	O-Ring seal 8x2-NBR 90 DIN 3770	1.000	ST
94	6.362-553.0	O-Ring seal 14,0 X 1,1	1.000	ST
100	6.413-403.0	Thermovalve 60°	1.000	ST
120	6.288-028.0	Silicon grease	1.000	ZST
122	6.343-129.0	Lock washer	1.000	ST



23 Cylinder head

POS	Article no.	Description	Quantity	Unit
1	4.769-035.0	Nozzle insert	1.000	ST
2	6.362-384.0	O-Ring seal 9x1,5 - NBR 70	1.000	ST
3	4.030-109.0	Throttle complete	1.000	ST
5	4.030-125.0	Joining piece only for replacement	1.000	ST
6	6.365-394.0	Grooved ring 12x20x5,3/2,8	3.000	ST
7	4.580-330.0	Suction valve complete	3.000	ST
8	5.550-294.0	Cylinder head	1.000	ST
9	5.003-062.0	Plate	1.000	ST
10	2.884-916.0	Valve (3 Stück)	1.000	ST
11	6.363-273.0	O-Ring seal 11,0 x 2,0	3.000	ST
12	4.132-007.0	Drain plug only for replacement	3.000	ST
13	2.883-862.0	Spare part set chemistry	1.000	ST
14	5.116-062.0	Washer	3.000	ST
19	7.304-098.0	Hexagonal head screw M8x80-8.8-A2E ISO	4.000	ST
20	9.154-045.0	Quick Connect	1.000	ST

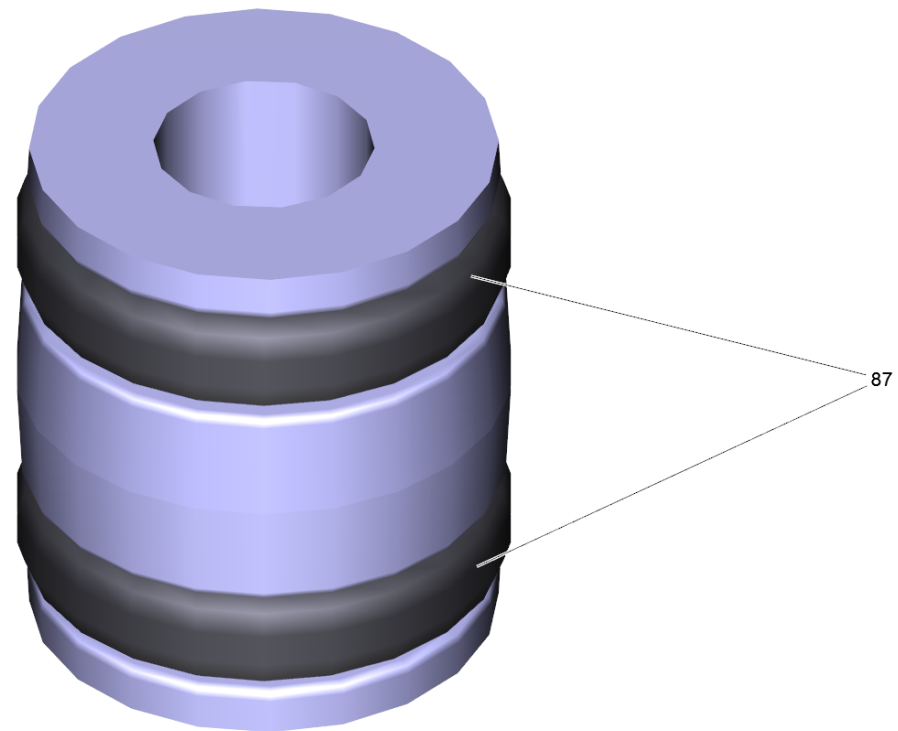


1 Nozzle insert (4.769-035.0)

POS	Article no.	Description	Quantity	Unit
165	6.362-384.0	O-Ring seal 9x1,5 - NBR 70	2.000	ST

3 Throttle complete (4.030-109.0)

POS	Article no.	Description	Quantity	Unit
87	6.362-176.0	O-Ring seal 6,07x1,78	2.000	ST
120	6.288-028.0	Silicon grease	1.000	ZST

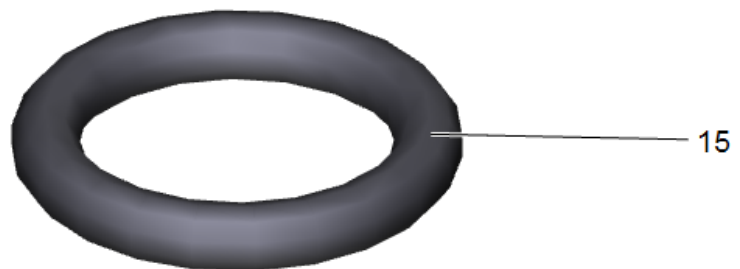
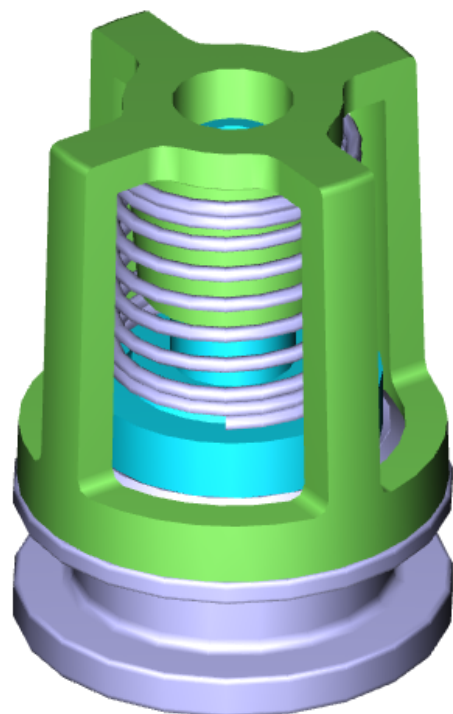


5 Joining piece only for replacement (4.030-125.0)

POS	Article no.	Description	Quantity	Unit
87	6.362-176.0	O-Ring seal 6,07x1,78	2.000	ST

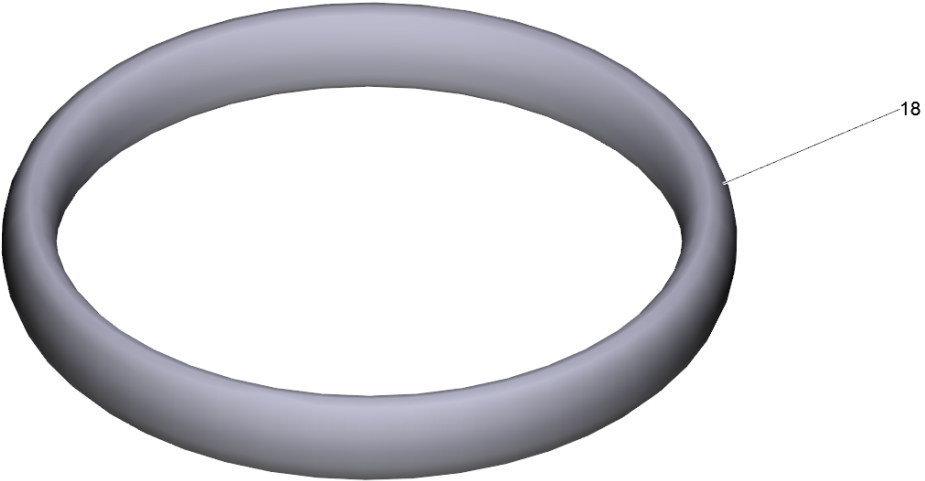
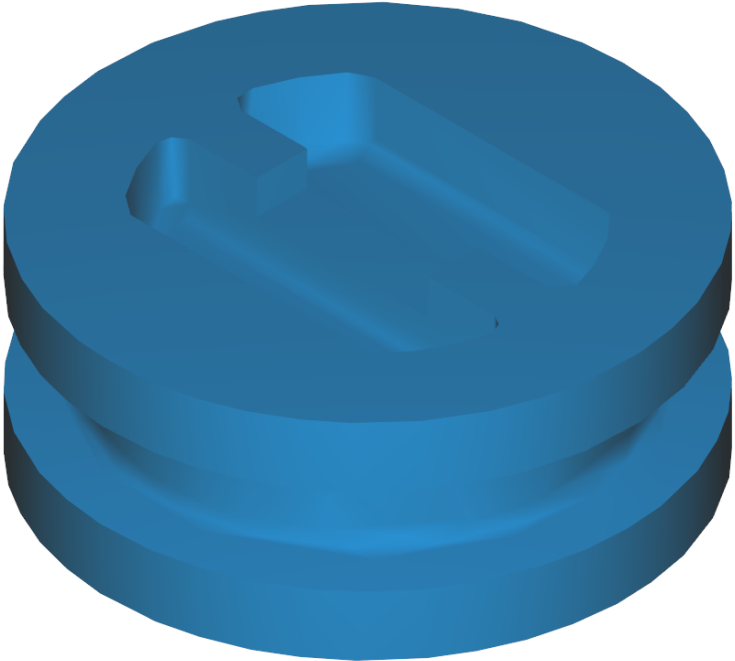
7 Suction valve complete (4.580-330.0)

POS	Article no.	Description	Quantity	Unit
86	6.363-614.0	O-Ring seal 9 x 2 -NBR90	2.000	ST
120	6.288-028.0	Silicon grease	1.000	ZST



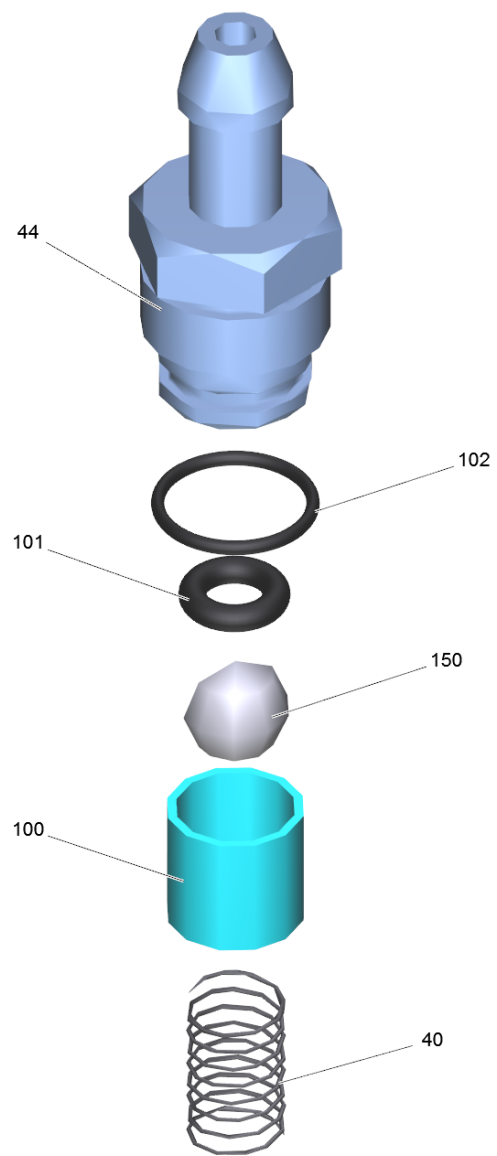
10 Valve (3 Stück) (2.884-916.0)

POS	Article no.	Description	Quantity	Unit
15	6.362-077.0	O-Ring seal 10 x 2,2 NBR 70	1.000	ST



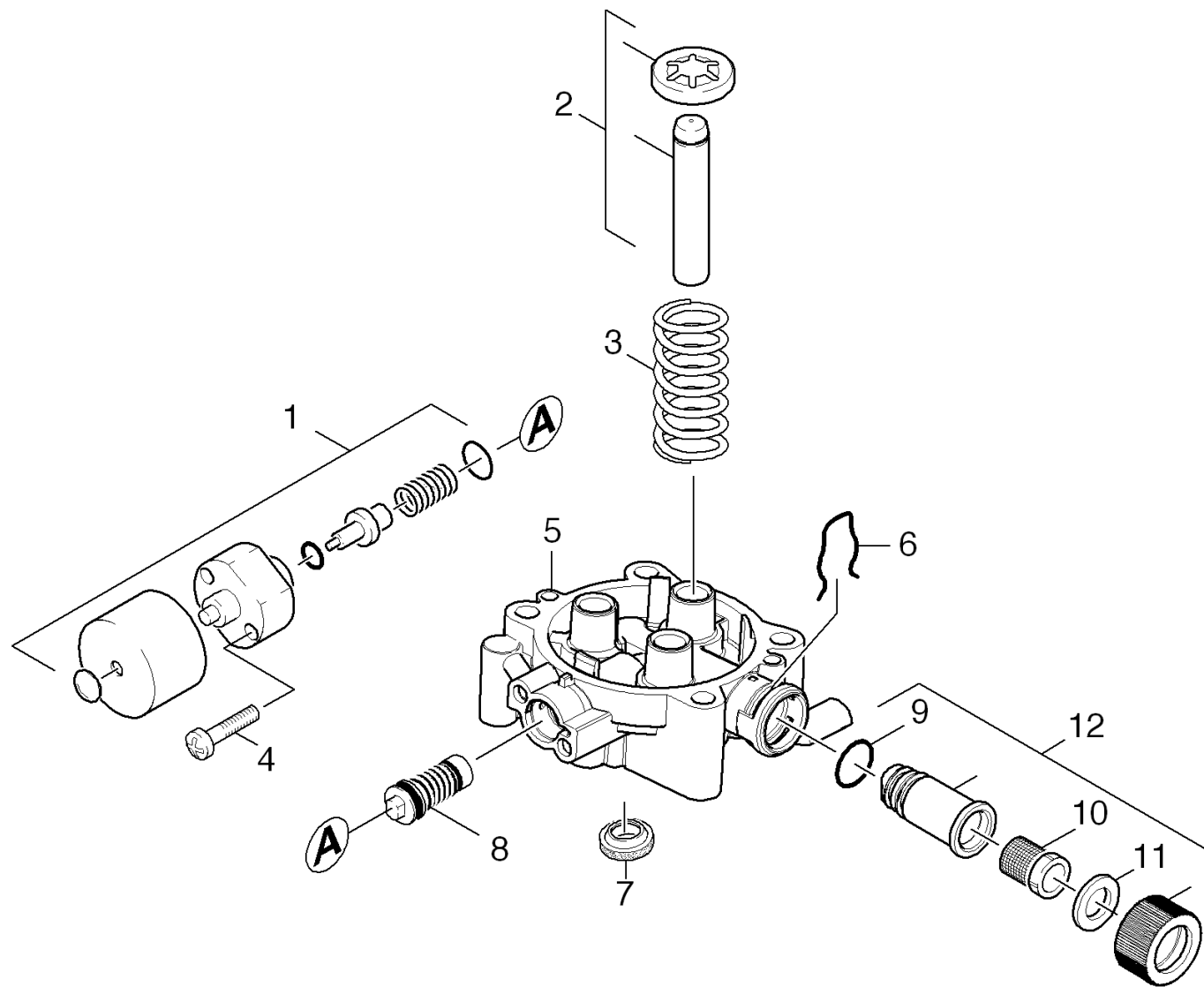
12 Drain plug only for replacement (4.132-007.0)

POS	Article no.	Description	Quantity	Unit
18	6.362-458.0	O-Ring seal 11,0x2,0-NBR 70	1.000	ST



13 Spare part set chemistry (2.883-862.0)

POS	Article no.	Description	Quantity	Unit
40	5.332-258.0	Helical spring	1.000	ST
44	5.443-448.0	Nipple chemistry	1.000	ST
100	5.110-714.0	Sleeve	1.000	ST
101	6.363-597.0	O-Ring seal 5,28 x 1,78	1.000	ST
102	6.362-451.0	O-Ring seal 8,0 x 1,0	1.000	ST
110	6.376-036.0	Label spare parts neutrally 65x55 MM	1.000	ZST
130	6.590-355.0	Bag PE 130x140 mm neutral	1.000	ST
150	7.401-908.0	Sphere 7 G300 -1.4301 DIN 5401	1.000	ST



24 Piston

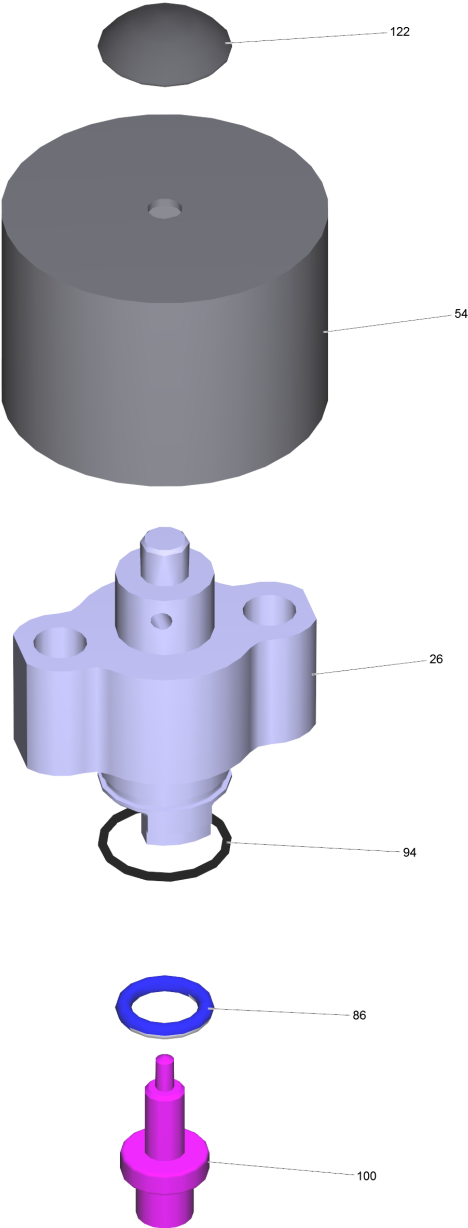
POS	Article no.	Description	Quantity	Unit
1	4.580-360.0	Therموالve only for replacement 60 GRD	1.000	ST
2	4.553-228.0	Piston complete D12	3.000	ST
3	5.332-391.0	Pressure spring	3.000	ST
4	7.303-066.0	Screw M6x30 -St-R3R (In6Rd)	2.000	ST
5	5.061-287.0	Piston guidance anodized	1.000	ST
6	5.048-915.0	Clamp	1.000	ST
7	6.365-393.0	Oil sealing 12x20x4/6	3.000	ST
8	4.591-040.0	SPILL VALVE COMPLETE	1.000	ST
9	6.363-610.0	O-Ring seal 13 x 3 -NBR	1.000	ST
10	6.414-252.0	Strainer	1.000	ST
11	5.364-129.0	Flat gasket	1.000	ST
12	9.172-316.0	SPARE PART KIT WATER INLET PUMP-016	1.000	ST

1 Thermovalve only for replacement 60 GRD (4.580-360.0)

POS	Article no.	Description	Quantity	Unit
36	4.132-011.0	Valve plug complete	1.000	ST
100	4.580-359.0	Thermovalve 60 GRD	1.000	ST
149	6.376-036.0	Label spare parts neutrally 65x55 MM	1.000	ZST
150	6.590-355.0	Bag PE 130x140 mm neutral	1.000	ST

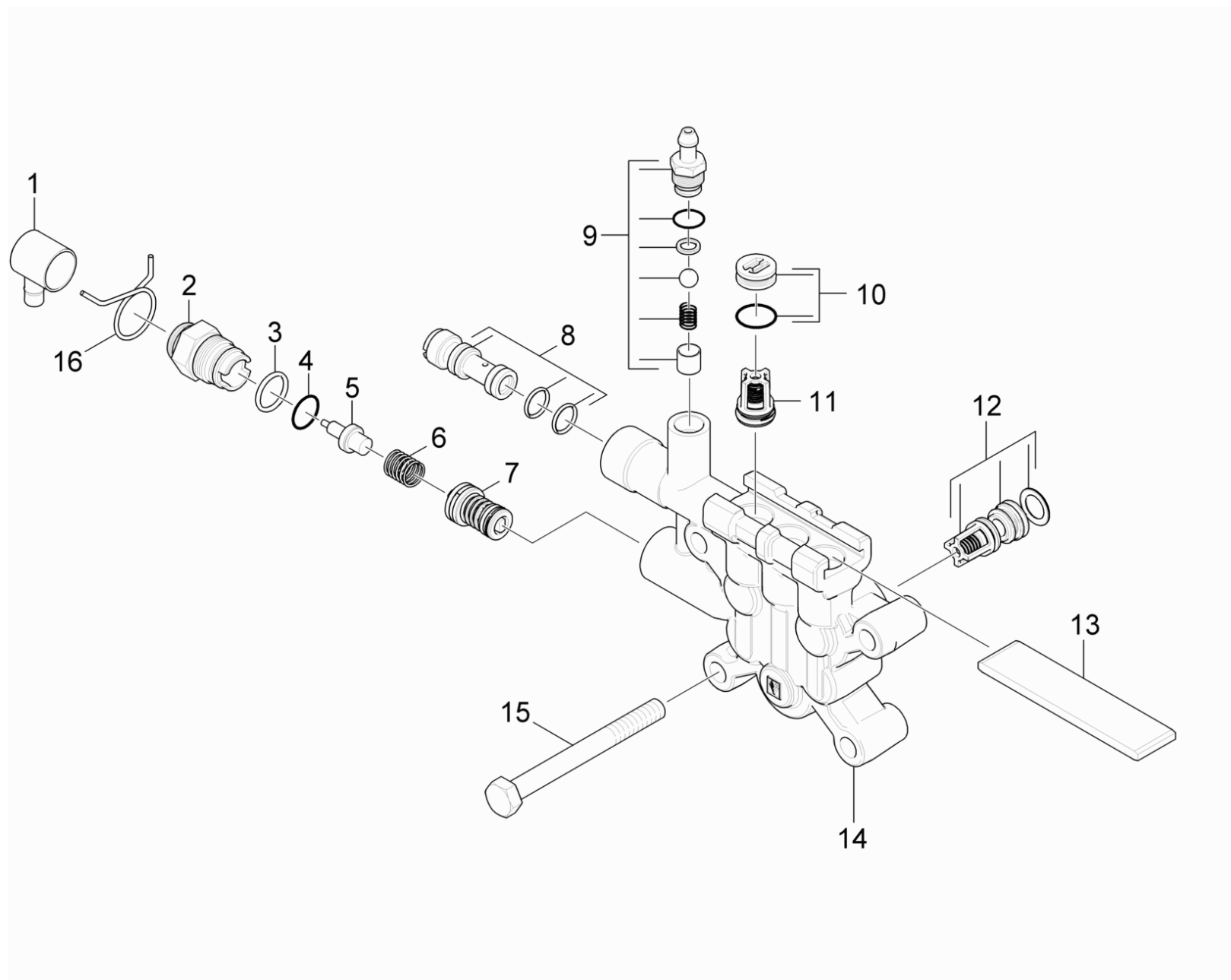
36 Valve plug complete (4.132-011.0)

POS	Article no.	Description	Quantity	Unit
85	6.362-458.0	O-Ring seal 11,0x2,0-NBR 70	1.000	ST
120		Grease	0.400	G



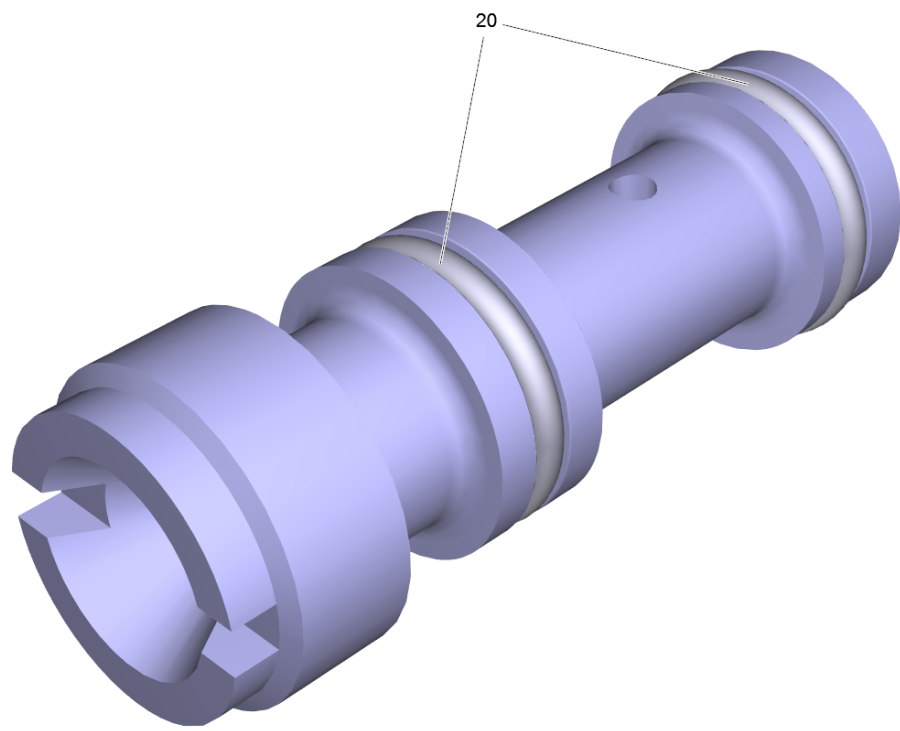
100 Thermovalve 60 GRD (4.580-359.0)

POS	Article no.	Description	Quantity	Unit
26	5.587-196.0	Valve housing	1.000	ST
54	5.394-522.0	Protecting cap black	1.000	ST
86	7.362-507.0	O-Ring seal 8x2-NBR 90 DIN 3770	1.000	ST
94	6.362-553.0	O-Ring seal 14,0 X 1,1	1.000	ST
100	6.413-403.0	Thermovalve 60°	1.000	ST
120	6.288-028.0	Silicon grease	1.000	ZST
122	6.343-129.0	Lock washer	1.000	ST



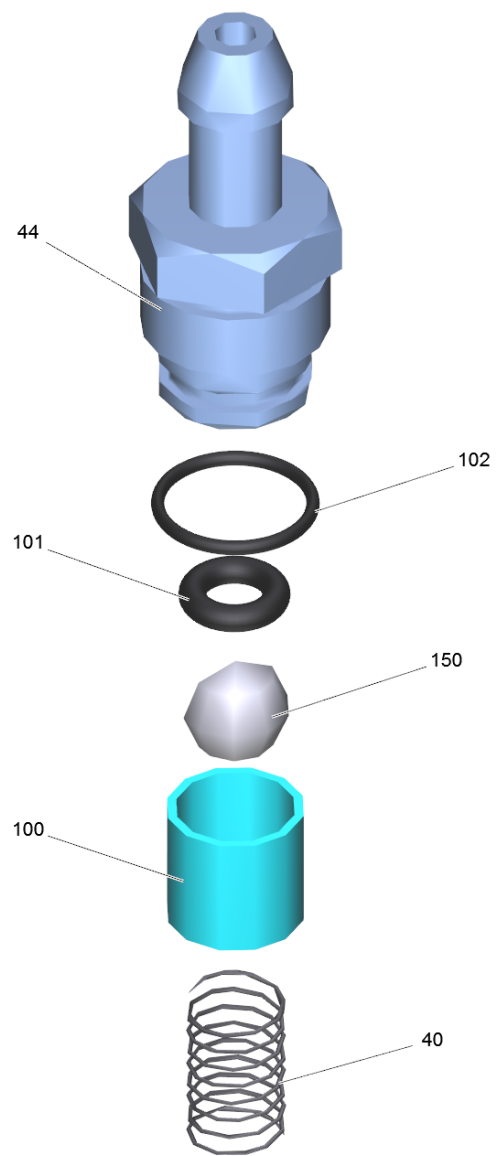
25 Cylinder head

POS	Article no.	Description	Quantity	Unit	Foot note text
1	8.752-076.0	VALVE, THERMAL COVER-LONG	1.000	ST	
2	9.184-018.0	Valve screw	1.000	ST	
3	6.362-480.0	O-Ring seal 12,42x 1,78	1.000	ST	
4	7.362-507.0	O-Ring seal 8x2-NBR 90 DIN 3770	1.000	ST	
5	6.413-403.0	Therموالve 60°	1.000	ST	
6	5.332-290.0	Helical spring	1.000	ST	
7	9.175-005.0	Unloader Assembly	1.000	ST	
8	9.139-372.0	SPARE PART LIST NOZZLE INS 020/021 PUMP	1.000	ST	
9	2.883-862.0	Spare part set chemistry	1.000	ST	
10	4.132-007.0	Drain plug only for replacement	3.000	ST	
11	2.884-916.0	Valve (3 Stück)	1.000	ST	SET CONSITSTS OF 3X VALVE
12	9.139-376.0	Valve 3 St.	1.000	ST	SET CONSITSTS OF 3X VALVE
13	5.003-062.0	Plate	1.000	ST	
14	9.135-015.0	Cylinder Head-Machined	1.000	ST	
15	7.304-098.0	Hexagonal head screw M8x80-8.8-A2E ISO	4.000	ST	
16	8.752-032.0	CLAMP, TENSION SPRING OD 11/16"	1.000	ST	



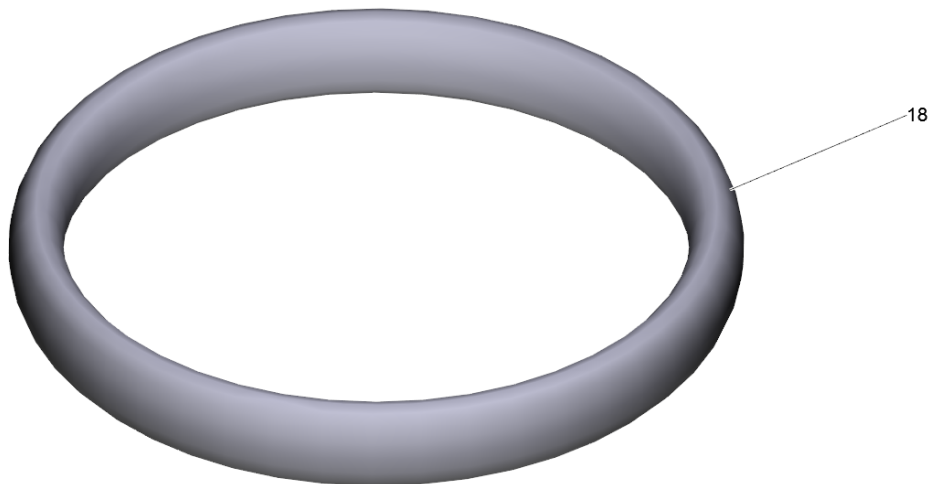
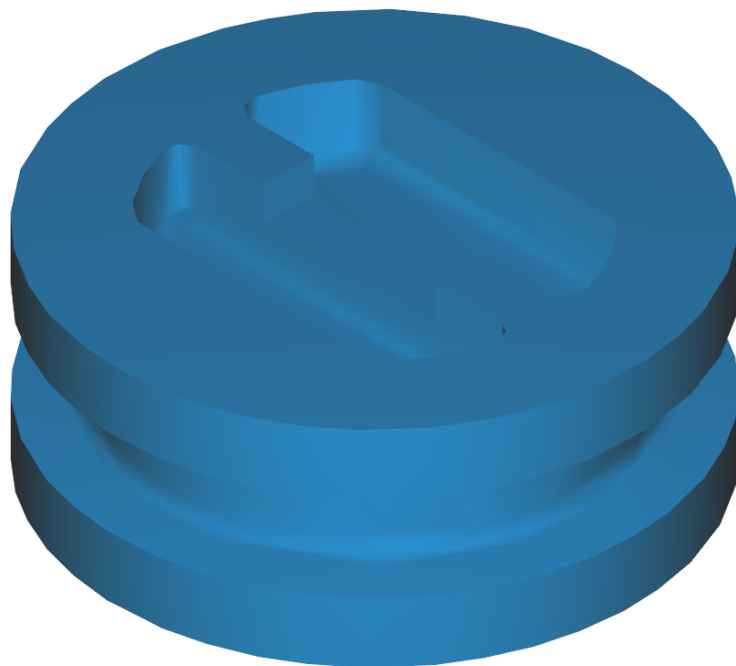
8 SPARE PART LIST NOZZLE INS 020/021 PUMP (9.139-372.0)

POS	Article no.	Description	Quantity	Unit
20	6.362-384.0	O-Ring seal 9x1,5 - NBR 70	2.000	ST



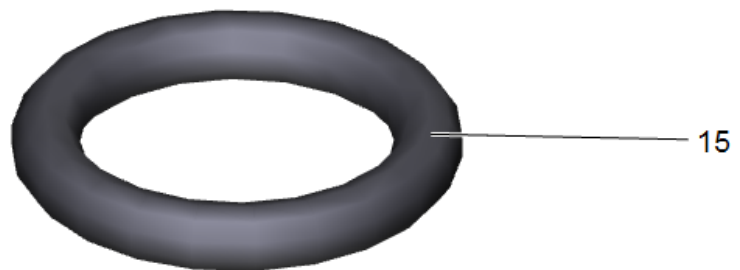
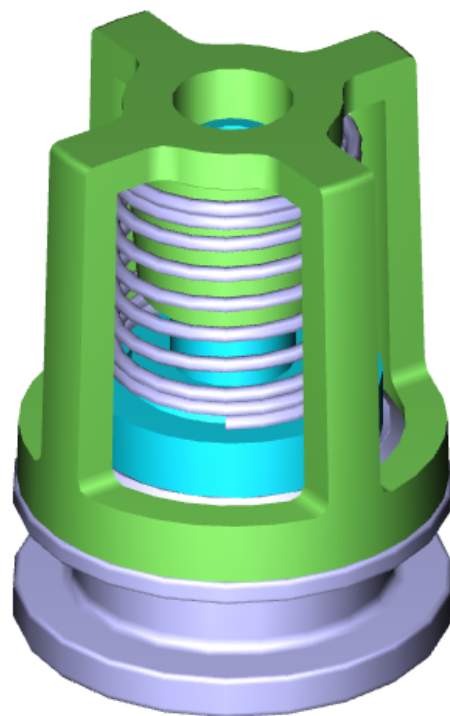
9 Spare part set chemistry (2.883-862.0)

POS	Article no.	Description	Quantity	Unit
40	5.332-258.0	Helical spring	1.000	ST
44	5.443-448.0	Nipple chemistry	1.000	ST
100	5.110-714.0	Sleeve	1.000	ST
101	6.363-597.0	O-Ring seal 5,28 x 1,78	1.000	ST
102	6.362-451.0	O-Ring seal 8,0 x 1,0	1.000	ST
110	6.376-036.0	Label spare parts neutrally 65x55 MM	1.000	ZST
130	6.590-355.0	Bag PE 130x140 mm neutral	1.000	ST
150	7.401-908.0	Sphere 7 G300 -1.4301 DIN 5401	1.000	ST



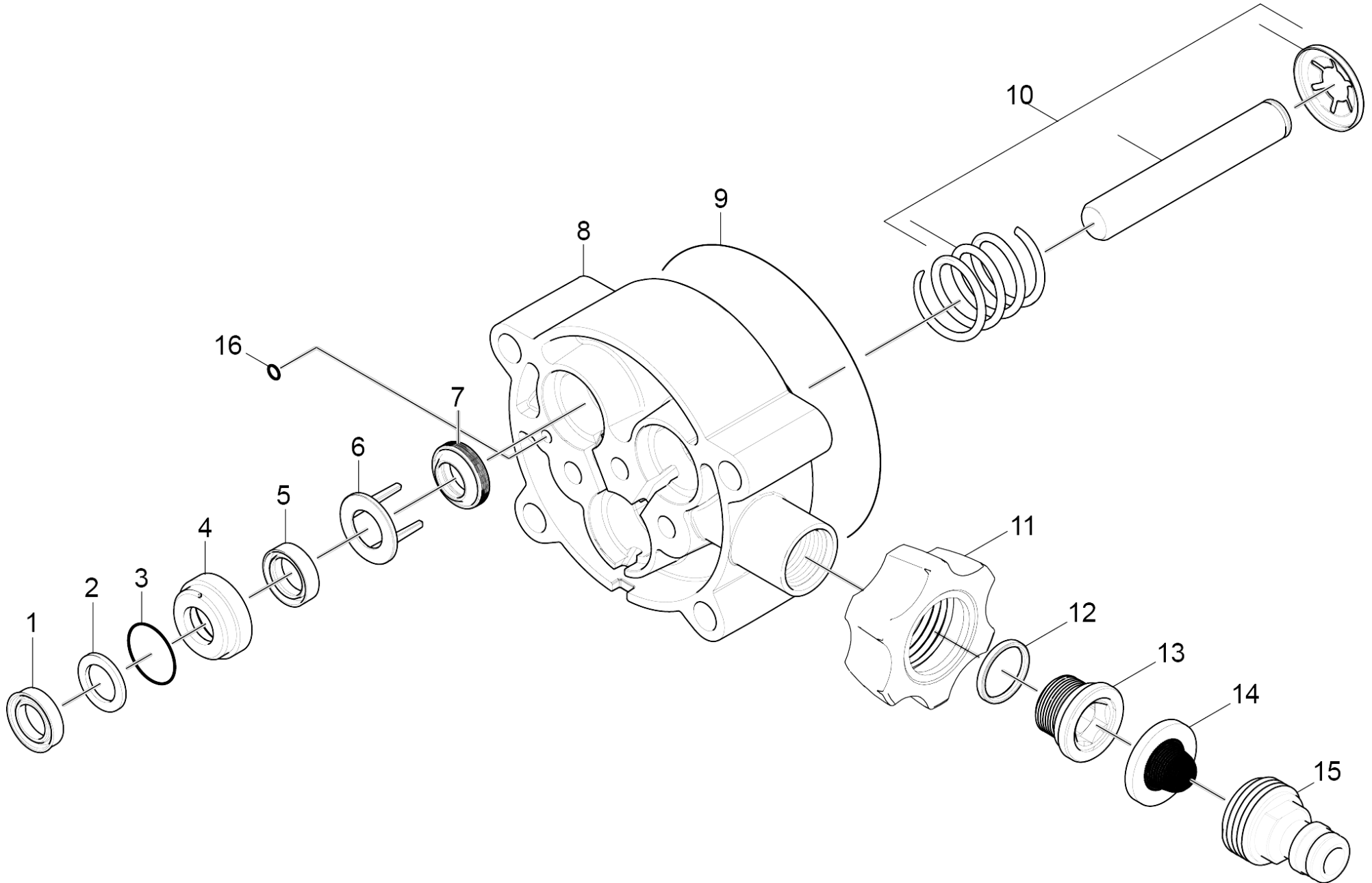
10 Drain plug only for replacement (4.132-007.0)

POS	Article no.	Description	Quantity	Unit
18	6.362-458.0	O-Ring seal 11,0x2,0-NBR 70	1.000	ST



11 Valve (3 Stück) (2.884-916.0)

POS	Article no.	Description	Quantity	Unit
15	6.362-077.0	O-Ring seal 10 x 2,2 NBR 70	1.000	ST

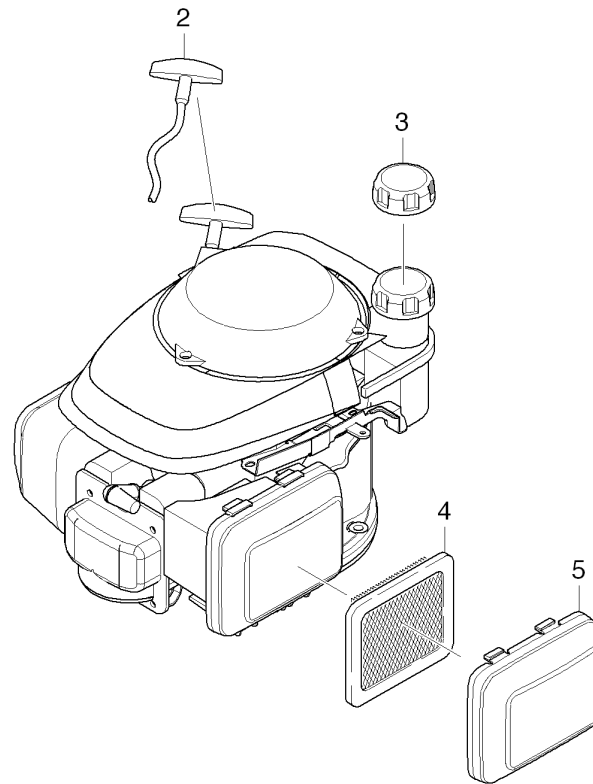


26 Piston

POS	Article no.	Description	Quantity	Unit
1	9.177-301.0	HIGH PRESSURE SEAL	3.000	ST
2	9.177-310.0	BACK RING-HIGH PRESSURE SEAL-	3.000	ST
3	6.362-833.0	O-Ring seal 21,5 x 1,78	3.000	ST
4	9.155-011.0	HOUSING-LOW PRESSURE SEAL	3.000	ST
5	6.363-058.0	Grooved ring 12x18x5 (90Shore)	3.000	ST
6	9.134-016.0	SPACER-OIL SEAL & SEAL HSG.	3.000	ST
7	6.365-393.0	Oil sealing 12x20x4/6	3.000	ST
8	9.133-007.0	Piston Guide-Machined	1.000	ST
9	6.362-471.0	O-Ring seal 80,0 X 3,0 -NBR 70	1.000	ST
10	9.139-370.0	SPARE PART LIST PISTON 020/021 PUMP	3.000	ST
11	9.154-044.0	Nut, Garden hose connector	1.000	ST
12	6.362-390.0	O-Ring seal 15,6 X 1,78	1.000	ST
13	9.134-019.0	MALE ADAPTER	1.000	ST
14	9.181-005.0	FILTER SEAL-HOSE CONNECTOR-	1.000	ST
15	6.645-538.0	Tap adaptor complete US w/m thread	1.000	ST
16	6.363-626.0	O-Ring seal 4,47x1,78 -NBR90	1.000	ST

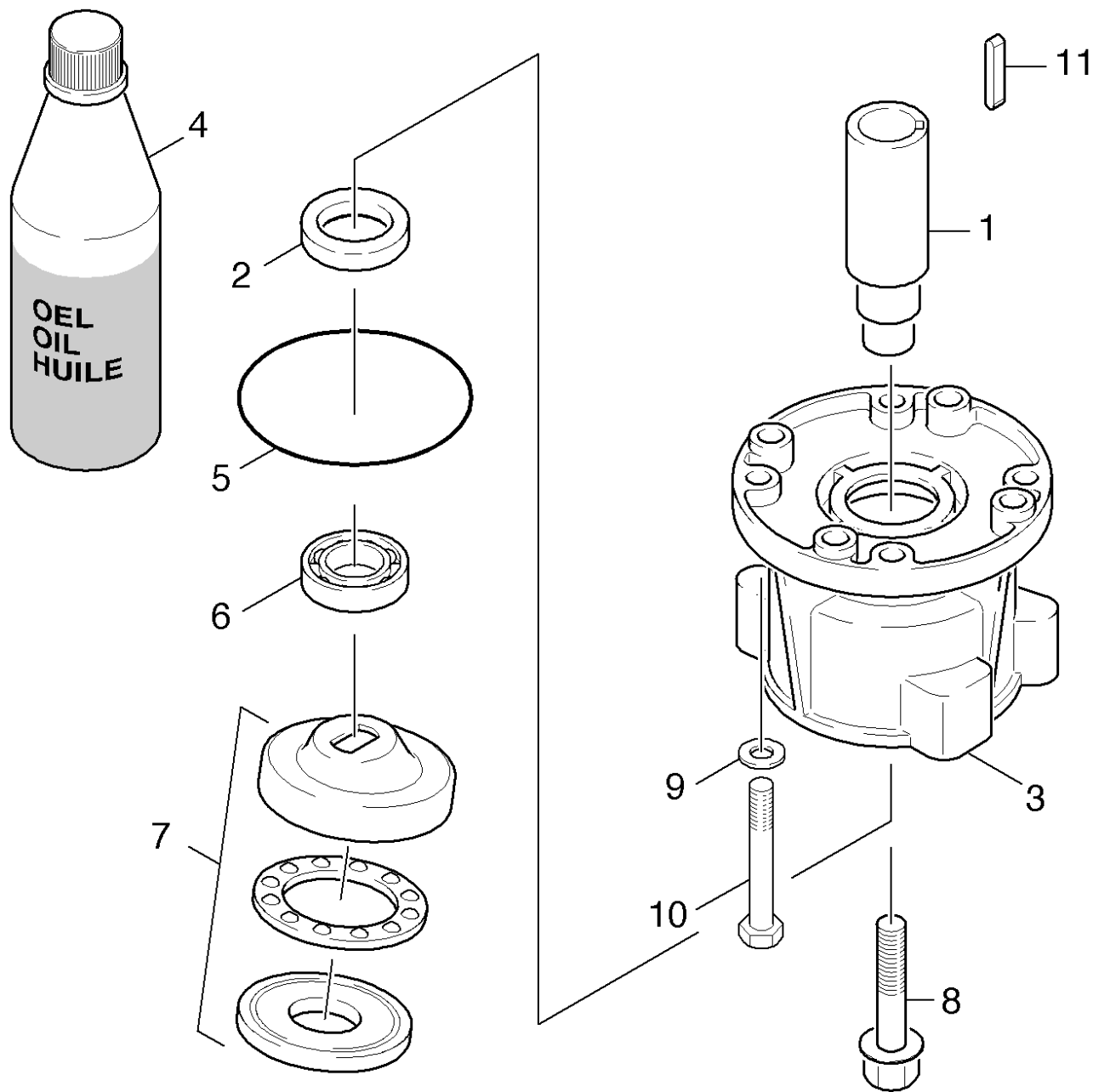
30 Motor

POS	Description	Quantity	Unit	Remark
31	Motor	1.000	ST	
32	Transmission	1.000	ST	VERSION 1
33	Transmission	1.000	ST	VERSION 2



31 Motor

POS	Article no.	Description	Quantity	Unit
2	6.491-503.0	Handhold	1.000	ST
3	6.491-723.0	Cap of a tank	1.000	ST
4	6.491-726.0	Air filter insert	1.000	ST
5	9.194-543.0	Cover	1.000	ST

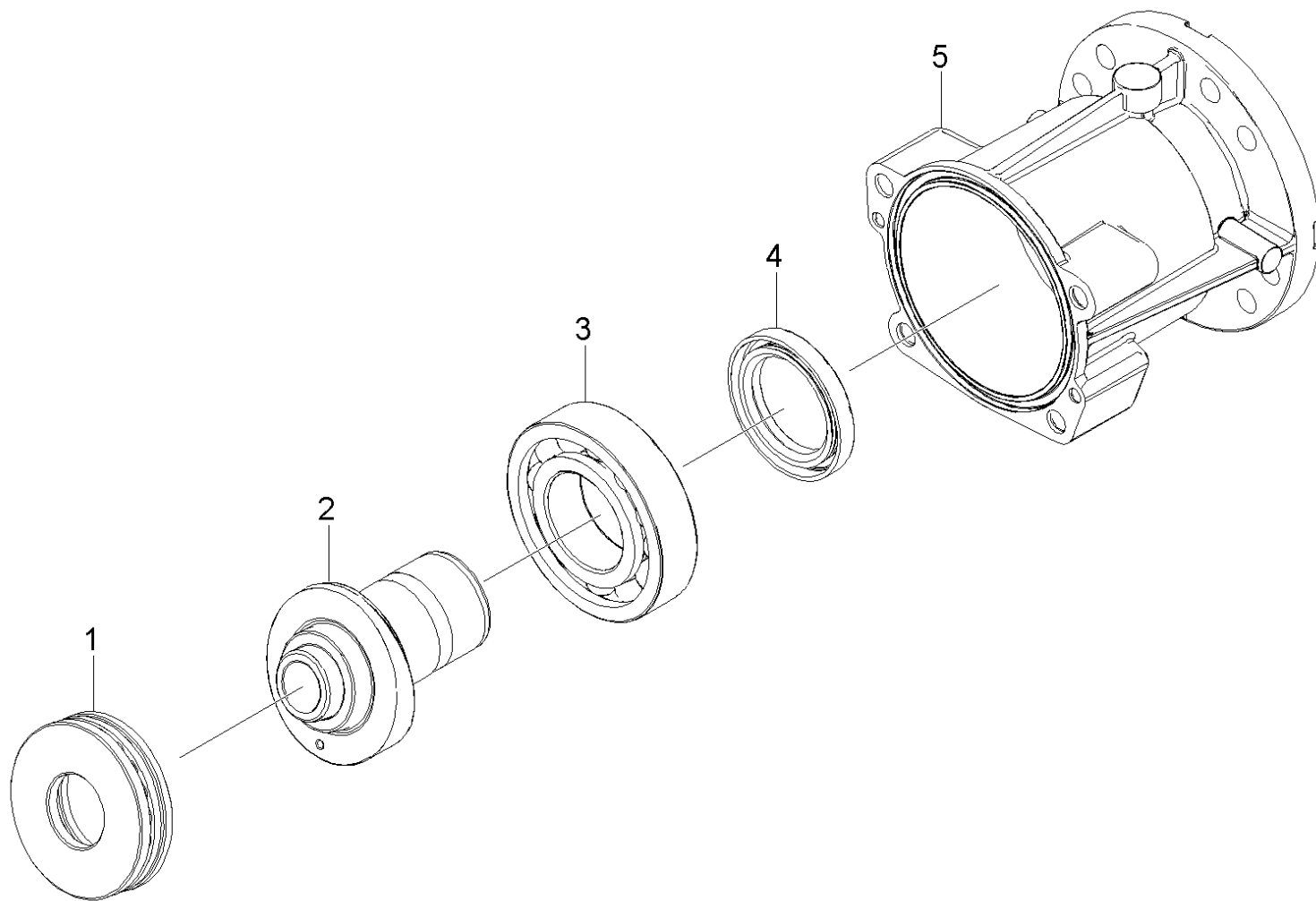


32 Transmission

POS	Article no.	Description	Quantity	Unit
1	9.154-031.0	PUMP SHAFT (VERT.)	1.000	ST
2	7.367-018.0	Radial shaft seal ring A26x37x7 -NBR DI	1.000	ST
3	9.135-001.0	HOUSING-VERTICAL	1.000	ST
4	6.288-050.0	Engine oil 1L	1.000	ST
5	6.362-471.0	O-Ring seal 80,0 X 3,0 -NBR 70	1.000	ST
6	7.401-155.0	Ball bearing 6304-WAELZLAGERST DIN 625	1.000	ST
7	6.401-289.3	Wobble plate	1.000	ST
8	6.304-048.0	Cylinder head screw M6x19	1.000	ST
9	5.115-656.0	Washer	4.000	ST
10	9.196-033.0	5/16-24UNF X 1.75 SOCKET HEAD CAP SCREW	4.000	ST
11	9.802-958.0	KEY, 0.185 SQR X 1.75'	1.000	ST

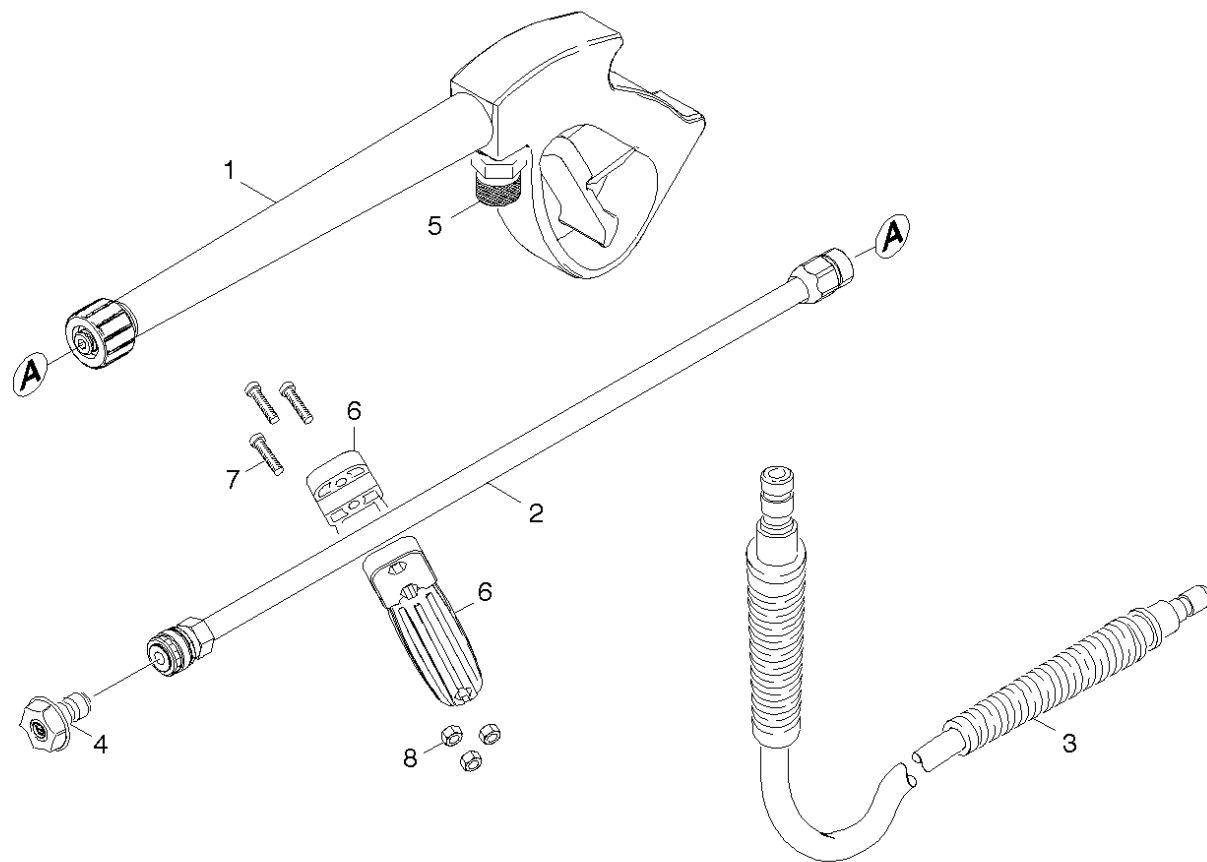
7 Wobble plate (6.401-289.3)

POS	Article no.	Description	Quantity	Unit
10	6.401-289.0	Wobble plate	1.000	ST



33 Transmission

POS	Article no.	Description	Quantity	Unit
1	9.165-355.0	GROOVED BALL BEARING	1.000	ST
2	9.135-017.0	Swash Plate Vertical-Machined-	1.000	ST
3	9.165-356.0	BALL BEARING NO. 6207	1.000	ST
4	9.177-314.0	Radial Seal, 35x52x7	1.000	ST
5	9.135-016.0	Oil Housing Vertical Machined	1.000	ST



40 Accessories

POS	Article no.	Description	Quantity	Unit
1	9.112-020.0	3200psi MV GUN KAERCHER	1.000	ST
2	9.112-533.0	Lance-AL Quick Connect-Male 3000 psi	1.000	ST
3	8.753-422.0	HOSE, HP DN6 25FT, 3600PSI QD	1.000	ST
4	9.104-016.0	QUICK CONNECT NOZZLE KIT (0325)	1.000	ST
5	9.154-045.0	Quick Connect	1.000	ST
6	9.134-025.0	HANDLE, HALF (1/2)	2.000	ST
7	9.196-051.0	Cheese Head Machine Screw M5x16mm	3.000	ST
8	9.197-011.0	M5 Nut	3.000	ST